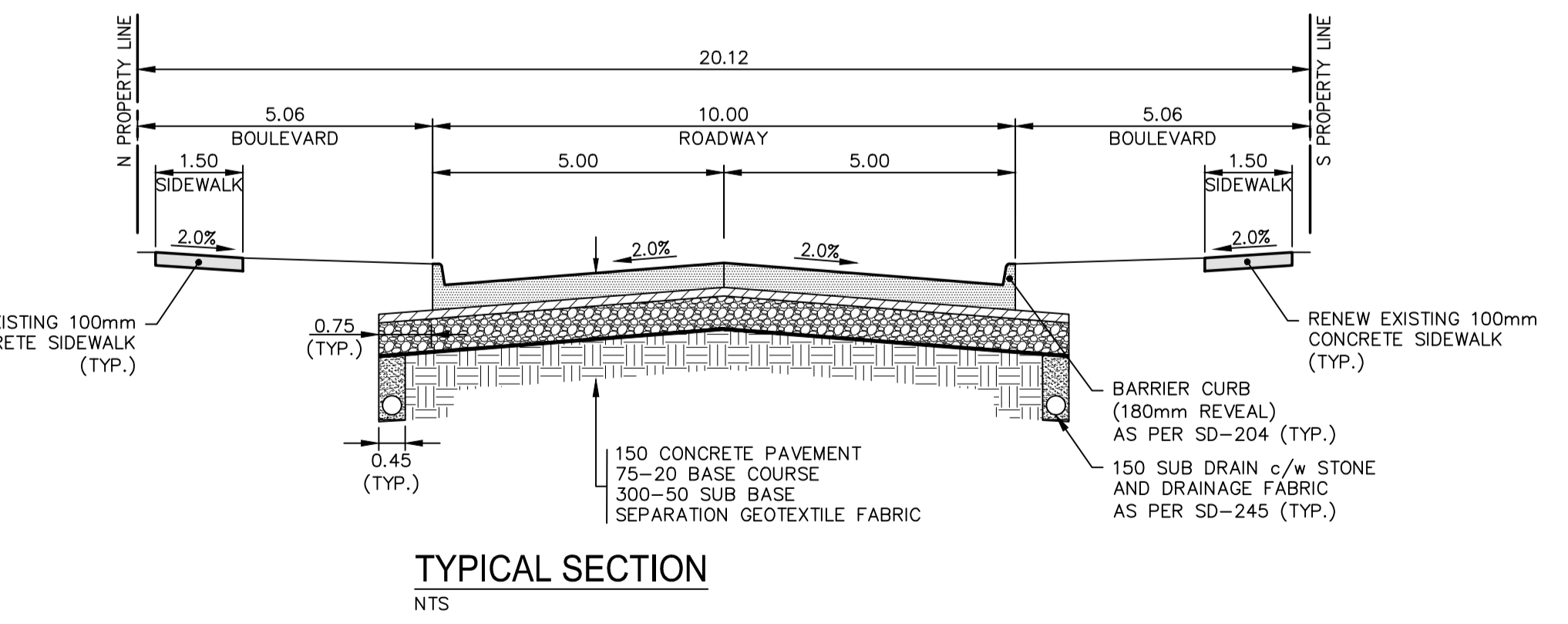


- NOTES:**
- ALL WORK AND MATERIALS TO BE IN ACCORDANCE WITH THE LATEST REVISION OF THE CITY OF WINNIPEG STANDARD CONSTRUCTION SPECIFICATIONS.
 - CONTRACTOR TO CONFIRM THE LOCATION OF ALL UTILITIES/SERVICES IN THE FIELD PRIOR TO CONSTRUCTION.
 - ALL ROADWAY DIMENSIONS SHOWN ARE TO BACK OF CURB.
 - RENEW CURB AND SIDEWALK AS IDENTIFIED BY CONTRACT ADMINISTRATOR.
 - ALL PRIVATE WALKWAYS TO BE ADJUSTED TO NEW SIDEWALK OR TOP OF CURB ELEVATION, AS DIRECTED BY THE CONTRACT ADMINISTRATOR.
 - ADJUST MH FRAMES, CB RIMS, AND VALVES TO NEW GRADES, AS REQUIRED.
 - MODIFIED BARRIER CURB TO BE CONSTRUCTED AT ALL INTERSECTION RADII AND BACK LANE RADII.
 - INSTALL 40mm LIP CURB THROUGH ALL RESIDENTIAL APPROACHES.
 - LAMP STANDARDS, HYDRO POLES, AND ANCHORS THAT REQUIRE TEMPORARY SUPPORT, REMOVAL OR REPLACEMENT, TO BE DONE SO AT THE EXPENSE OF THE CONTRACTOR AS NECESSARY.
 - CONTRACTORS TO TAKE PRECAUTIONARY STEPS TO PROTECT EXISTING TREES WITHIN THE LIMITS OF CONSTRUCTION FROM DAMAGE FROM CONSTRUCTION ACTIVITIES AS OUTLINED IN THE SPECIFICATIONS.
 - ALL BOULEVARDS TO BE SODDED UNLESS OTHERWISE NOTED.
 - ADJUST ALL WATER VALVES, HYDRANTS, MANHOLES, AND CATCH BASINS IN WORK AREA TO GRADE.

EXISTING	LEGEND-PLAN	PROPOSED	EXISTING	LEGEND-PLAN	PROPOSED	EXISTING	LEGEND-PROFILE	PROPOSED
---	WATER MAIN	---	---	---	---	---	---	---
---	LAND DRAINAGE SEWER	---	---	---	---	---	---	---
---	WASTE WATER SEWER	---	---	---	---	---	---	---
---	HYDRO	---	---	---	---	---	---	---
---	M.T.S.	---	---	---	---	---	---	---
---	GAS	---	---	---	---	---	---	---
---	SIGNALS	---	---	---	---	---	---	---
○	MANHOLE	●	---	---	---	---	---	---
□	CATCH BASIN	■	---	---	---	---	---	---
△	CURB INLET	▽	---	---	---	---	---	---
⊥	UTILITIES ADJUSTED	△ □ ○	---	---	---	---	---	---
⊥	PLUG	⊥	---	---	---	---	---	---
⊥	HYDRANT	⊥	---	---	---	---	---	---
⊥	VALVE	⊥	---	---	---	---	---	---
⊥	CURB STOP	⊥	---	---	---	---	---	---
---	GROUND GRADE	---	---	---	---	---	---	---
(231.000)	PAVEMENT GRADE	(231.000)	---	---	---	---	---	---
---	ANCHOR	---	---	---	---	---	---	---
#111	CIVIC ADDRESS	---	---	---	---	---	---	---
---	EXISTING	---	---	---	---	---	---	---



LOCATIONS APPROVED UNDERGROUND STRUCTURES

SIGNED BY: _____ DATE: _____

LOCATION OF UNDERGROUND STRUCTURES AS SHOWN ARE BASED ON THE BEST INFORMATION AVAILABLE BUT NO GUARANTEE IS GIVEN THAT ALL EXISTING UTILITIES ARE SHOWN OR THAT THE GIVEN LOCATIONS ARE EXACT CONFIRMATION OF EXISTENCE AND EXACT LOCATION OF ALL SERVICES MUST BE OBTAINED FROM THE INDIVIDUAL UTILITIES BEFORE PROCEEDING

NO.	REVISIONS	DATE	BY
A	PRELIMINARY DESIGN REVIEW	2019/02/05	K.G.
B	DETAILED DESIGN REVIEW	2019/02/09	K.G.
C	ISSUED FOR TENDER	2019/12/03	R.H.

wsp

G.S.M. 232.893

ELEV. BENCHMARK LOCATION: TOP OF TOP NUT ON HYDRANT AT NORTHEAST CORNER OF WELLINGTON AVENUE AND BANNING STREET

WSP Canada Group Limited
Suite 111 - 93 Lombard Ave
Winnipeg, MB R3B 3B1
t. 204.943.3178
f. 204.943.4948
www.wsp.com

DESIGNED BY: K.G./L.V. CHECKED BY: V.M.

DRAWN BY: S.B. APPROVED BY: S.M.

HOR. SCALE: 1:250

VERTICAL SCALE: 1:10

RELEASED FOR CONSTRUCTION

NO. REVISIONS DATE BY DATE JANUARY 2019

FOR TENDER PURPOSES ONLY

NOT FOR CONSTRUCTION

THE CITY OF WINNIPEG
PUBLIC WORKS DEPARTMENT
ENGINEERING SERVICES DIVISION

2019 STREET RENEWAL PROGRAM

WELLINGTON AVENUE

CONCRETE RECONSTRUCTION
STA. 0+71.42 TO STA. 2+05

WSP Canada Group Limited
Certificate of Authorization
WSP Canada Group Limited
No. 6657

ENGINEERS SEAL

NOT FOR CONSTRUCTION

CONSULTANT ACAD DWG. NO. 18M-01969-00-39

CITY DRAWING NUMBER

SHEET 12 OF 13

BID NO. 1271-2019

Dec 05, 2019 - 11:35am P:\2018\18M-01969-00 - 2019 Local Streets Package-19-R-03\Contract 2\10 Drawings\03 Working Drawings\18M-01969-00 Wellington Ave Plan&Profile.dwg -tab:1271-2019_Drawing_18M-01969-00-39-RC